

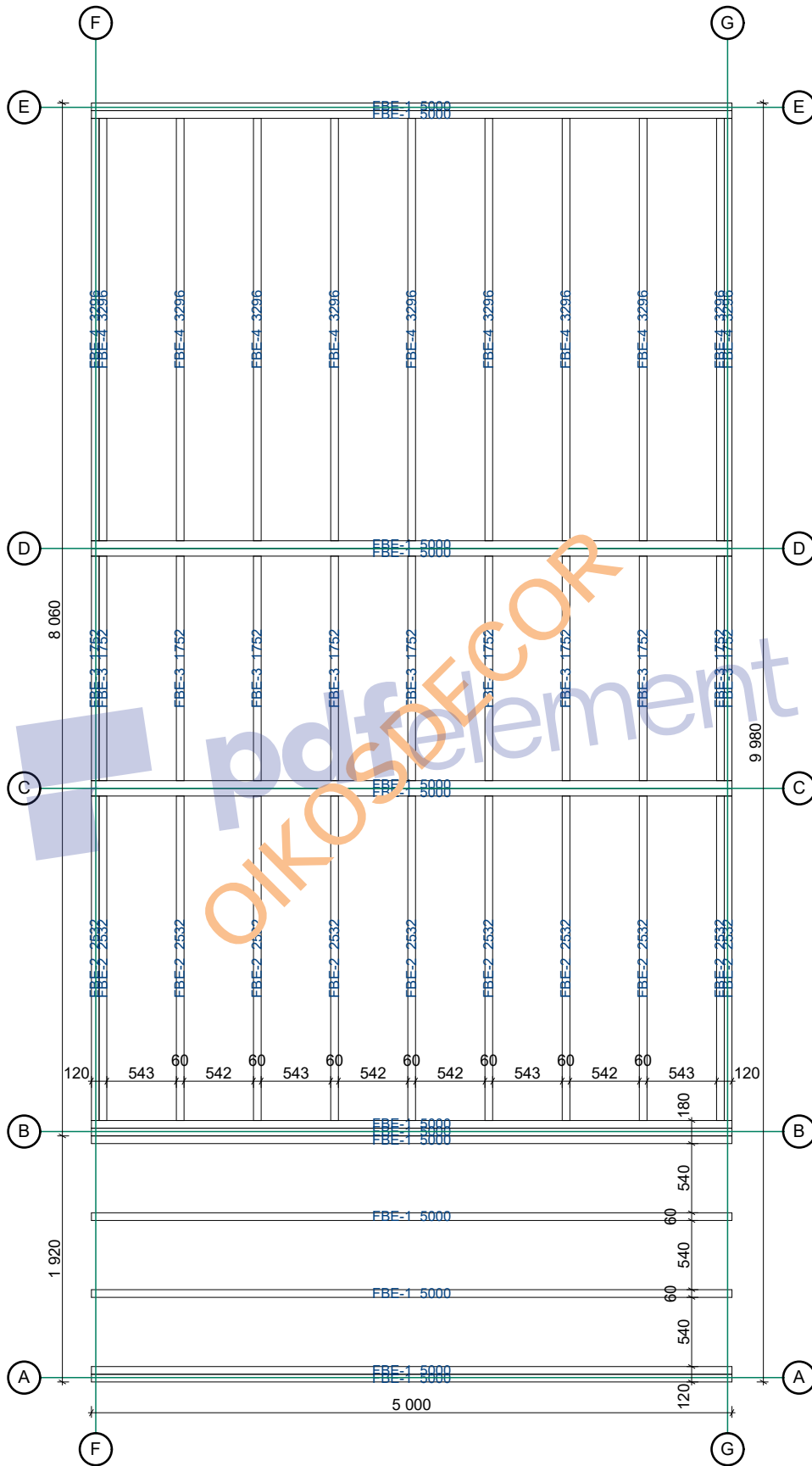


OLKOSZECOR  
pdfelement

Architect name:	Thickness:	Type:	Project name:	Project No:	Year:	Page:
		<b>Standard</b>	<b>ATLANTIS</b>	<b>v.1</b>	<b>2020</b>	<b>1</b>

Floor bearers

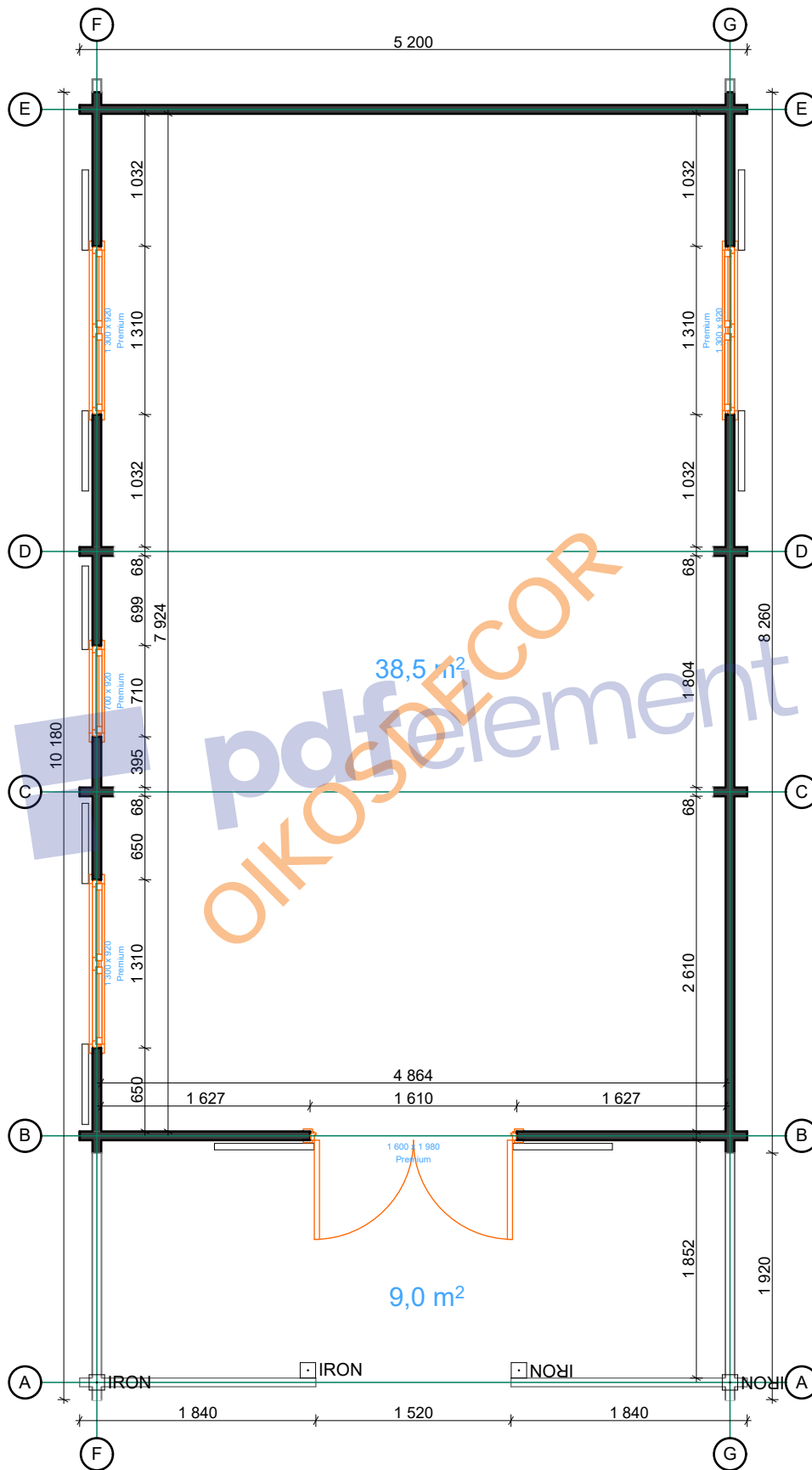
1:50



Architect name:	Thickness:	Type:	Project name:	Project No:	Year:	Page:
		<b>Standard</b>		<b>v.1</b>	<b>2020</b>	<b>2</b>

Ground floor plan

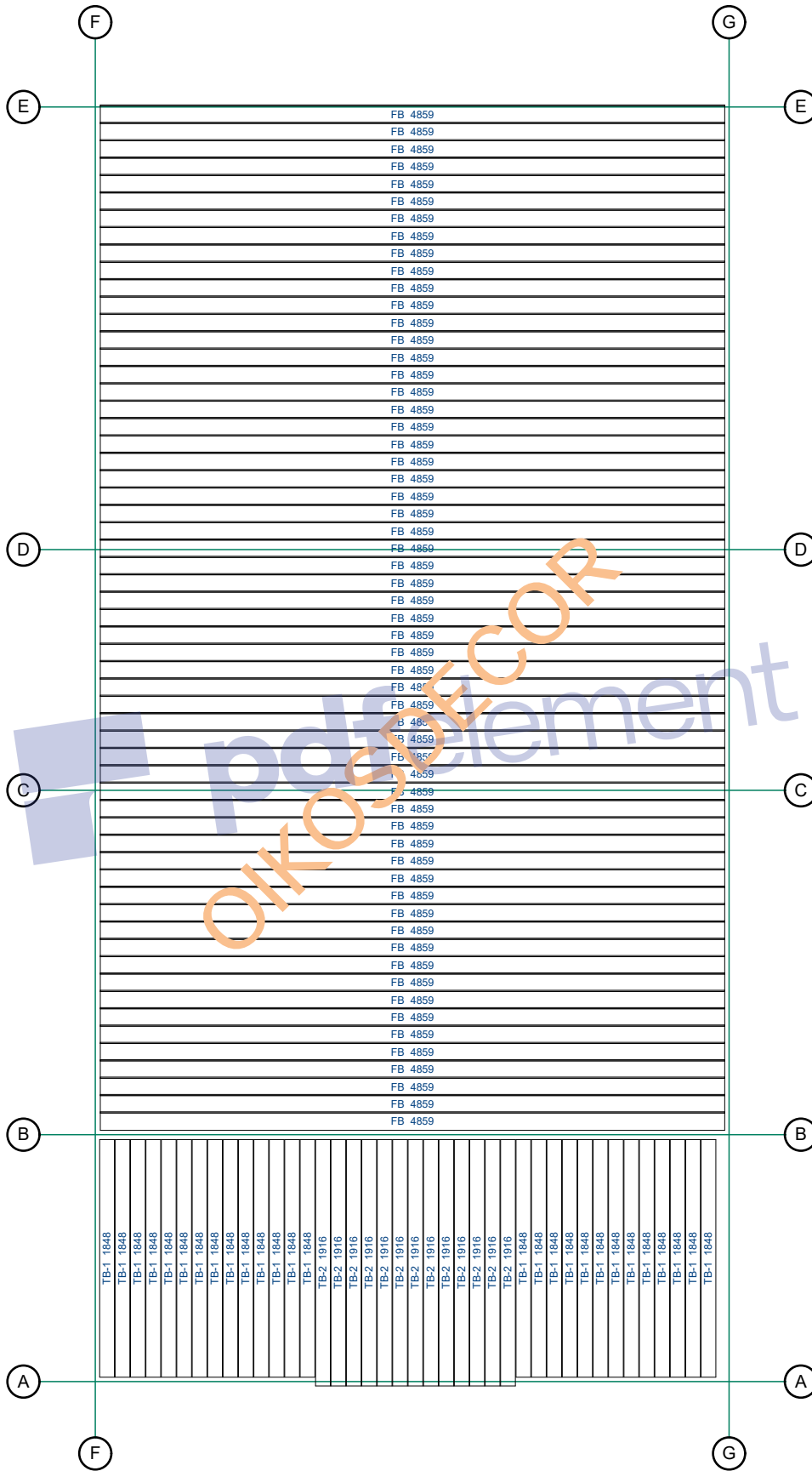
1:50



Architect name:	Thickness:	Type:	Project name:	Project No:	Year:	Page:
		<b>Standard</b>		<b>v.1</b>	<b>2020</b>	<b>3</b>

# Floor boards

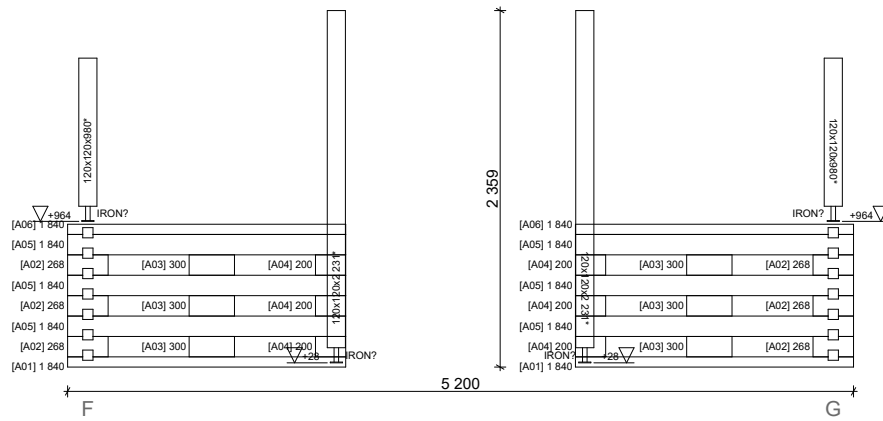
1:50



Architect name:	Thickness:	Type:	Project name:	Project No:	Year:	Page:
<b>a</b>		<b>Standard</b>		<b>v.1</b>	<b>2020</b>	<b>4</b>

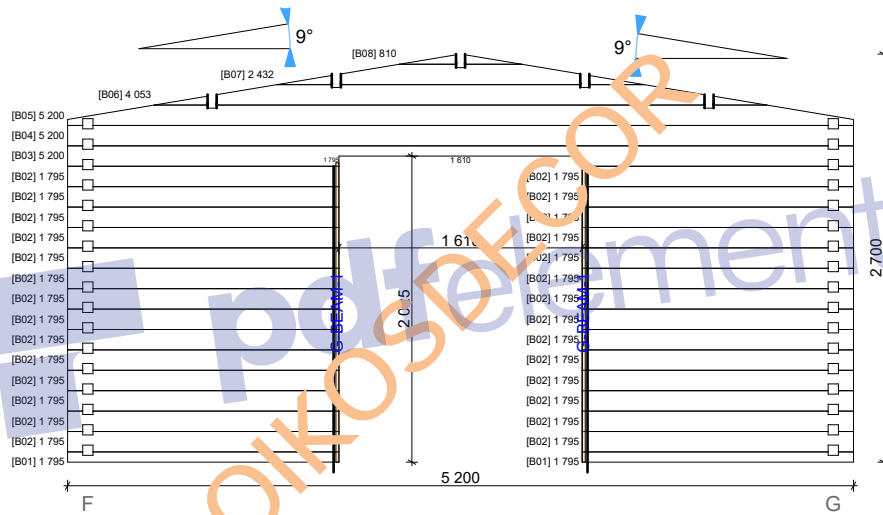
### Wall A

1:50



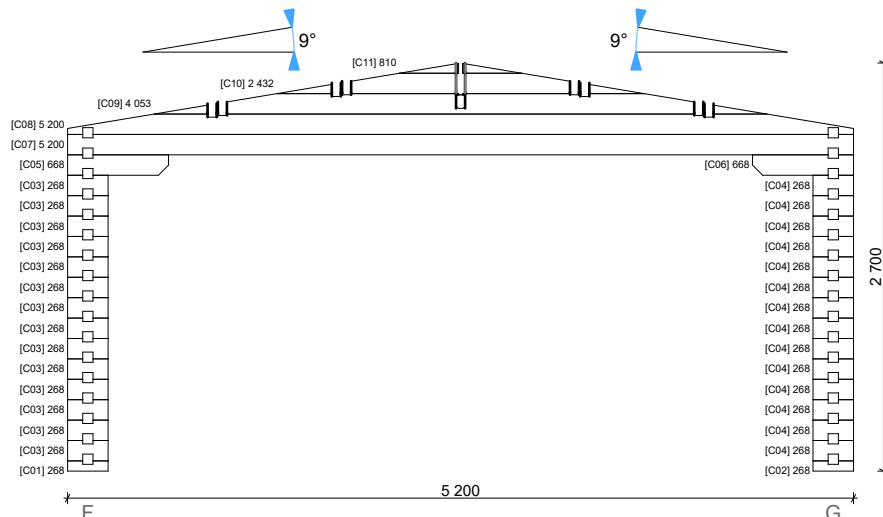
### Wall B

1:50



### Wall C

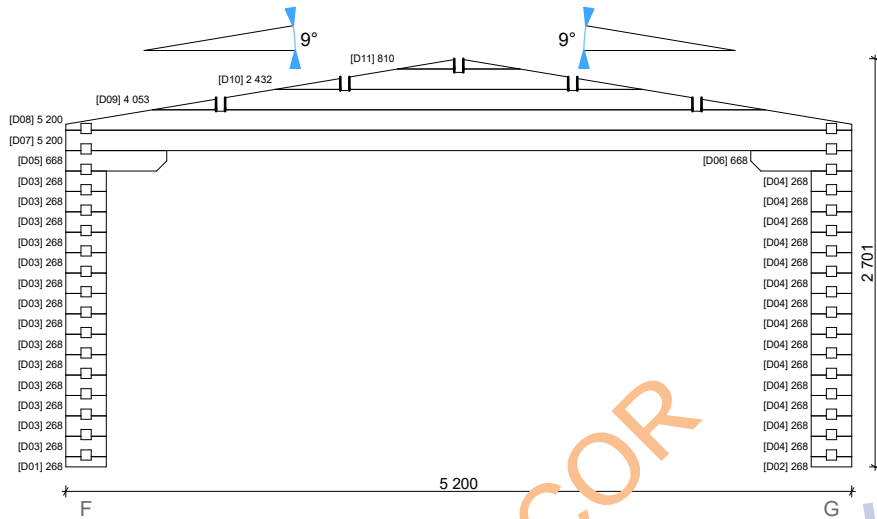
1:50



Architect name:	Thickness:	Type:	Project name:	Project No:	Year:	Page:
		<b>Standard</b>		<b>v.1</b>	<b>2020</b>	<b>5</b>

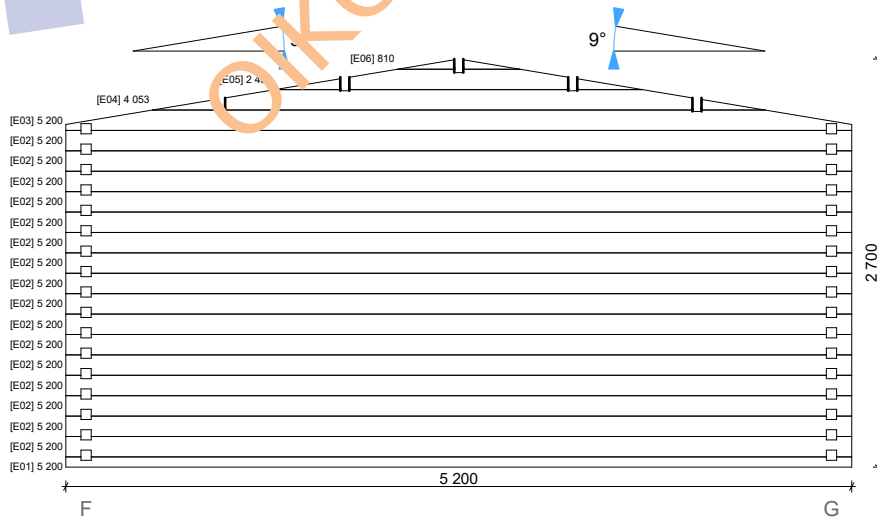
### Wall D

1:50



### Wall E

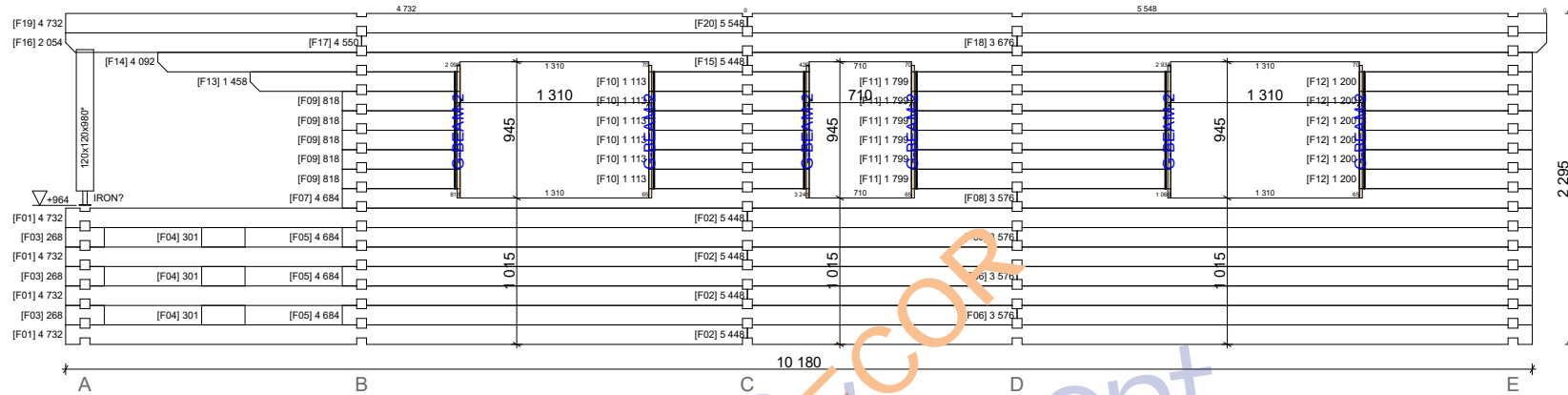
1:50



Architect name:	Thickness:	Type:	Project name:	Project No:	Year:	Page:
		<b>Standard</b>		<b>v.1</b>	<b>2020</b>	<b>6</b>

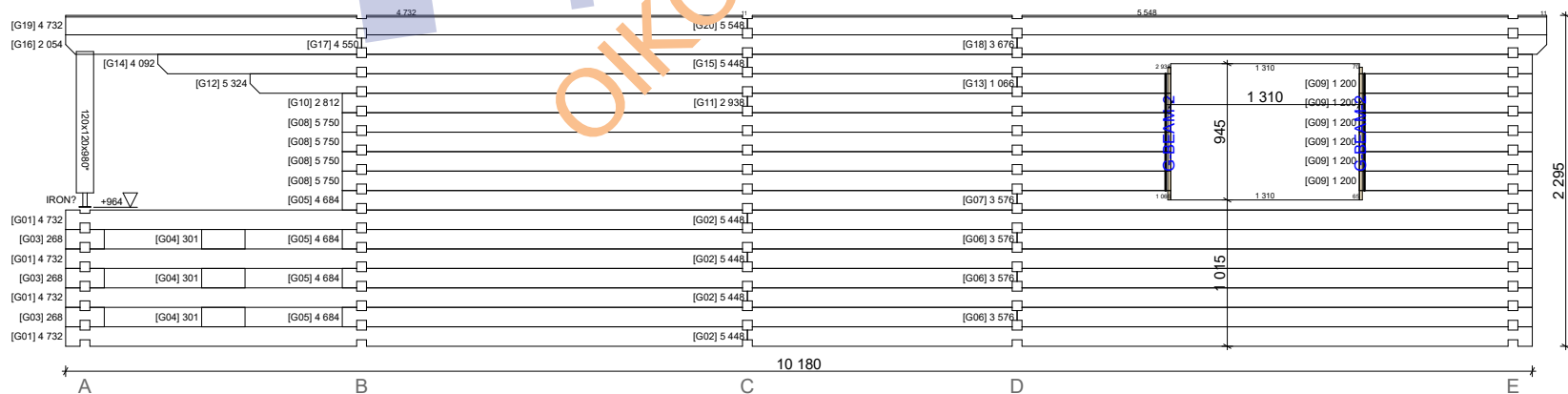
### Wall F

1:50



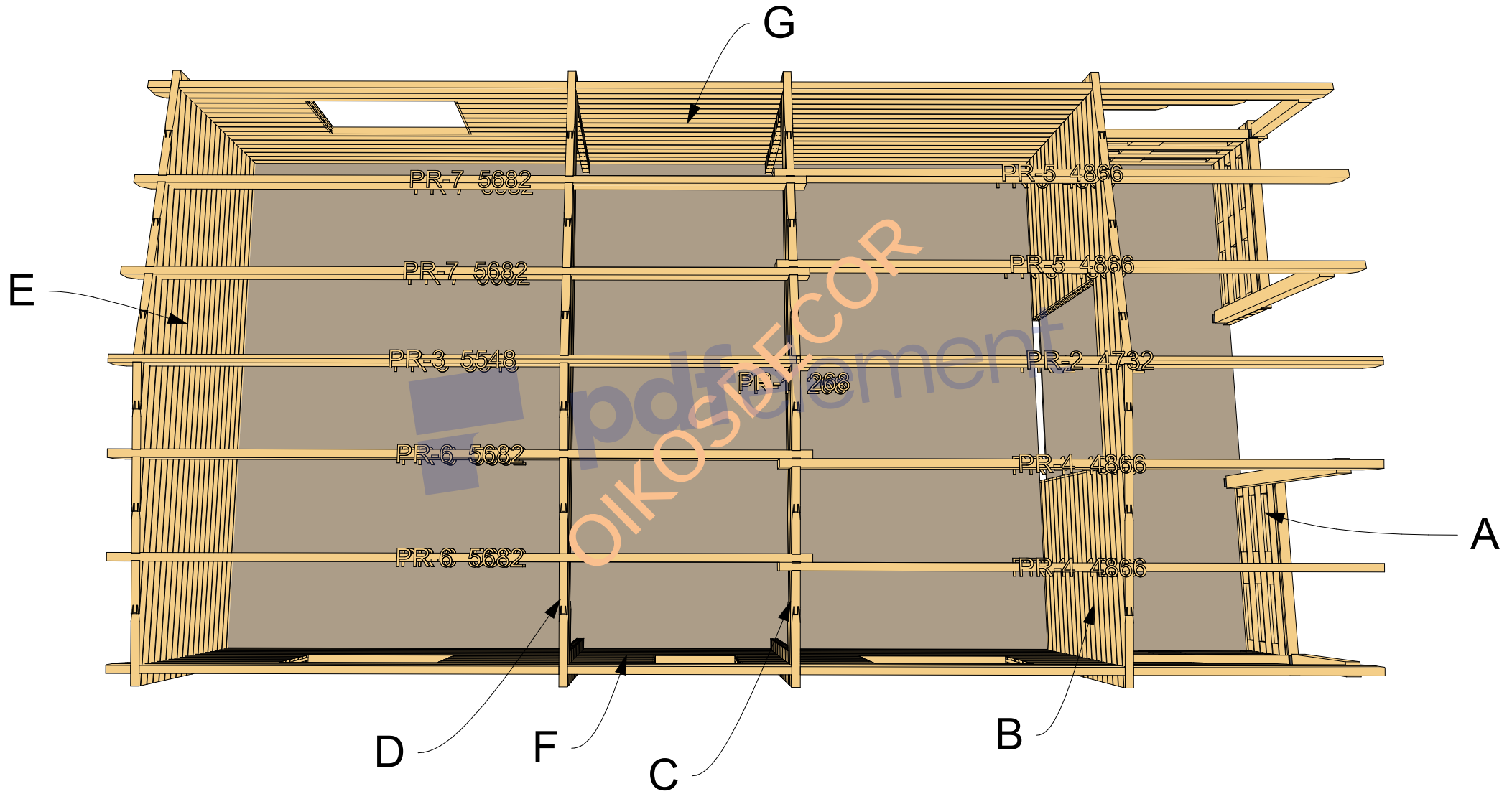
### Wall G

1:50



Architect name:	Thickness:	Type:	Project name:	Project No:	Year:	Page:
		<b>Standard</b>		<b>v.1</b>	<b>2020</b>	<b>7</b>

# Walls and purlins positions

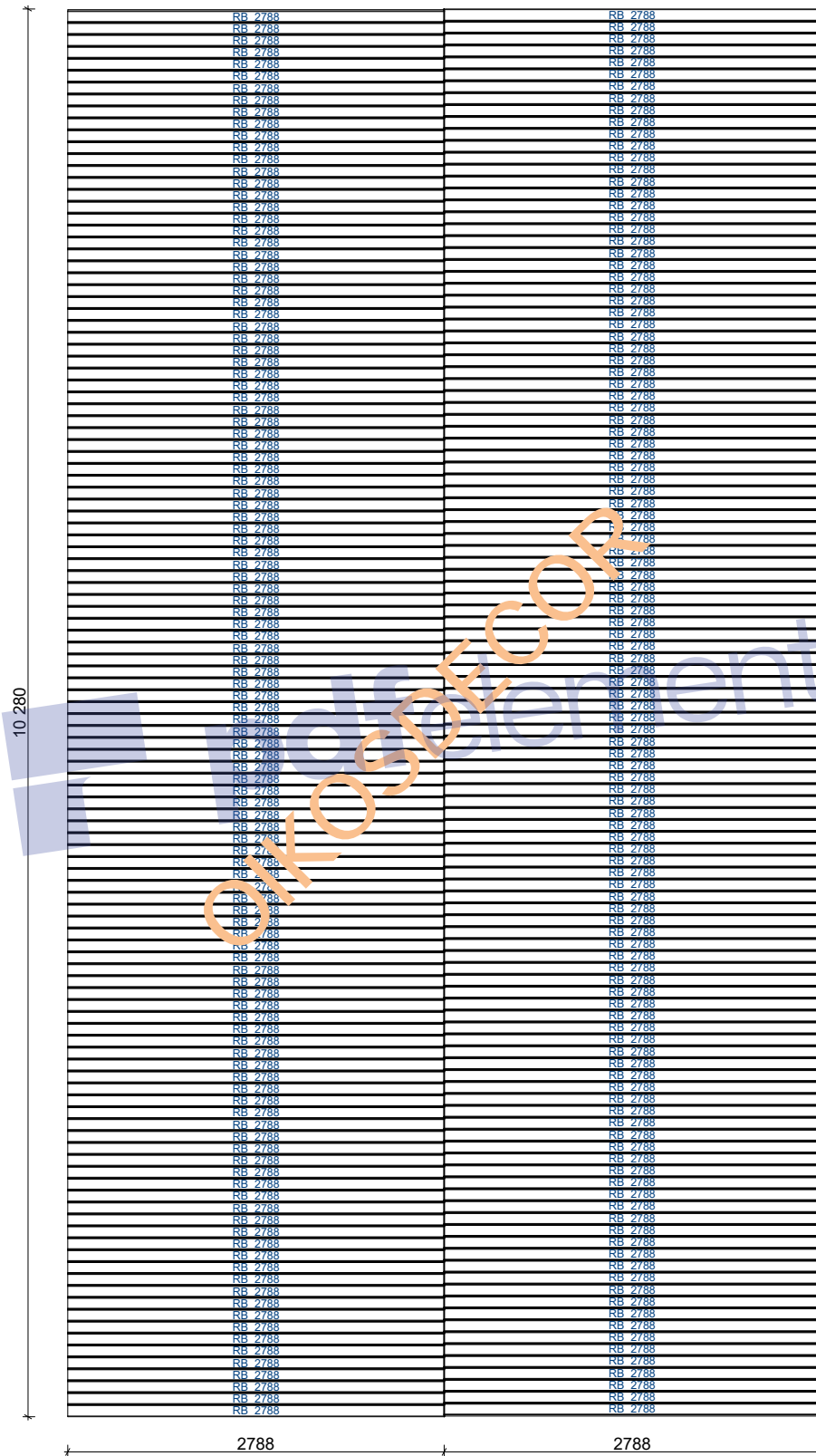


Architect name:	Thickness:	Type:	Project name:	Project No:	Year:	Page:
		Standard		v.1	2020	8

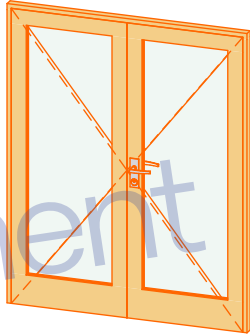

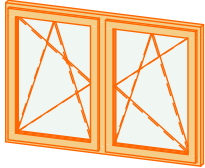


# Roof boards

1:50



Architect name:	Thickness:	Type:	Project name:	Project No:	Year:	Page:
		<b>Standard</b>		<b>v.1</b>	<b>2020</b>	<b>9</b>

68mm Typ 1 5,2x10,18 v.1 windows and doors list							
Type	Quality	Nominal W x H Size	Orientation	Glazing	Qty	3D Front Axonometry	Shutters
Door	Premium	1 600x1 980	R	50% glass, double glazed	1		1kit
Window	Premium	700x920	R	Double glazed	1		1kit
Window	Premium	1 300x920	R	Double glazed	3		3kits

Architect name:	Thickness:	Type:	Project name:	Project No:	Year:	Page:
		<b>Standard</b>		<b>v.1</b>	<b>2020</b>	<b>10</b>