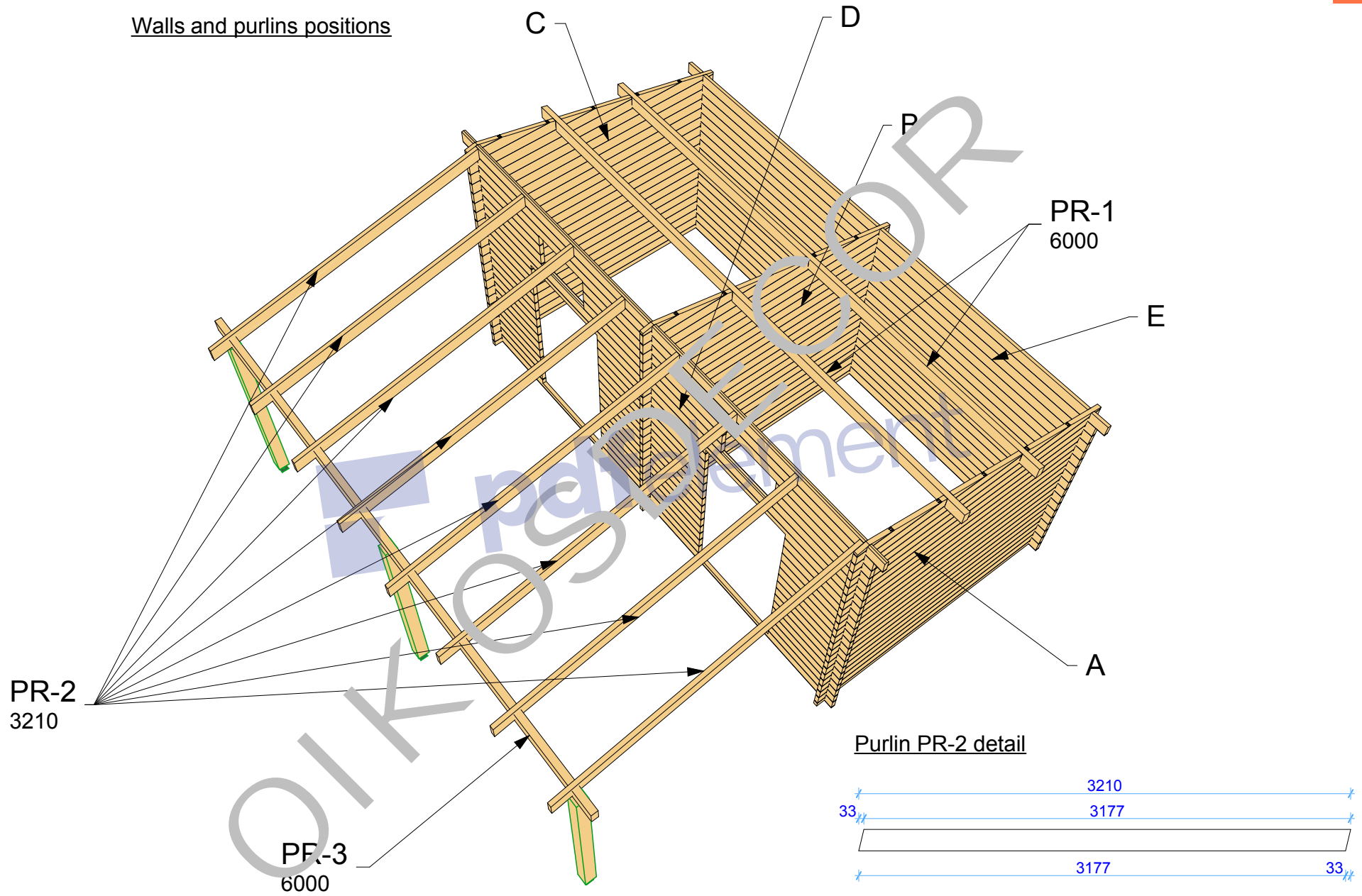




OIKOSDECOR
pdfelement

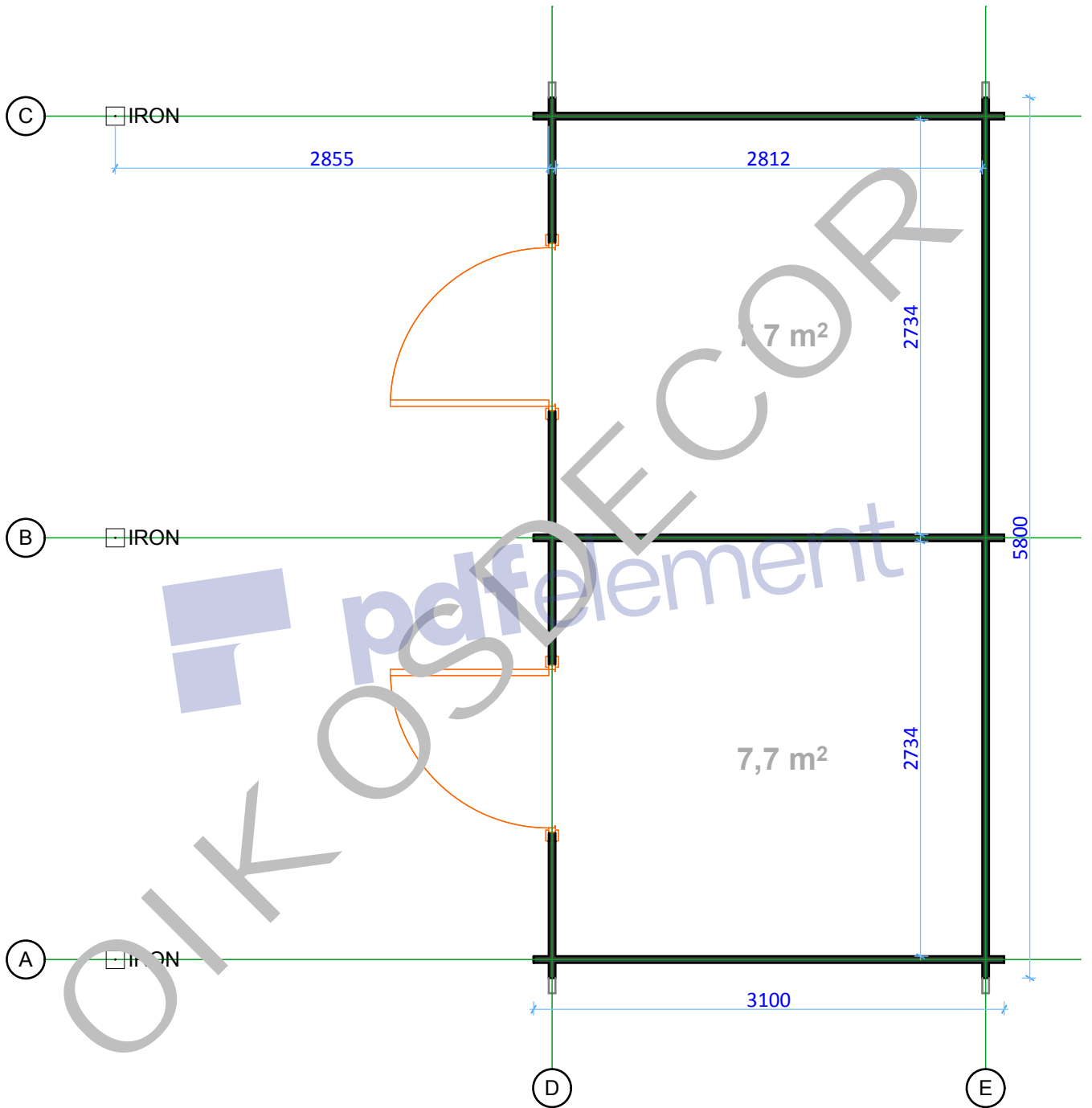
44mm Stable Nr.2

Walls and purlins positions



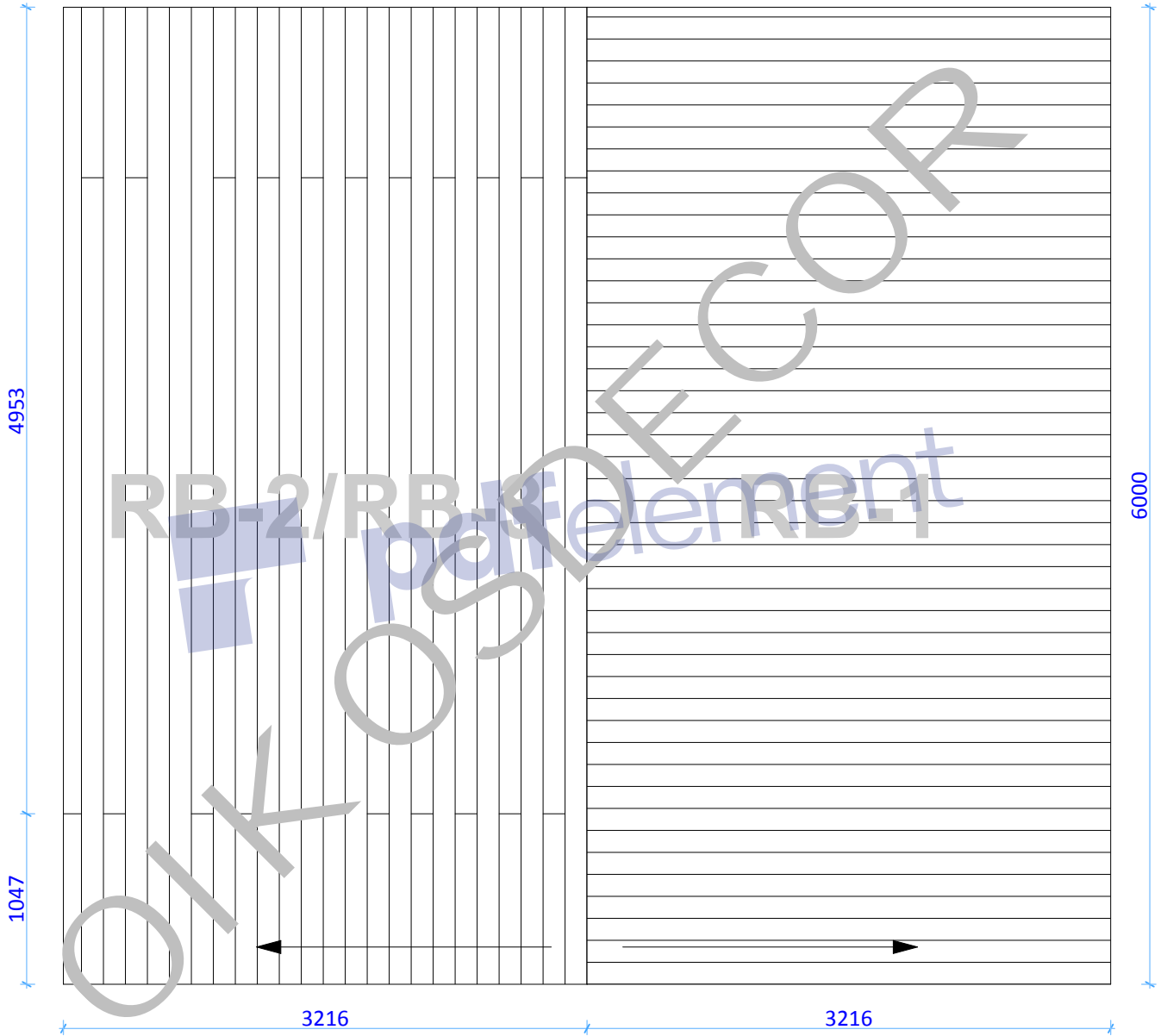
Architect name:	Thickness:	Type:	Project name:	Project No:	Year:	Page:
	44mm	Standard	Stable Nr. 2		2015	2 of 6

Floor plan 1:40



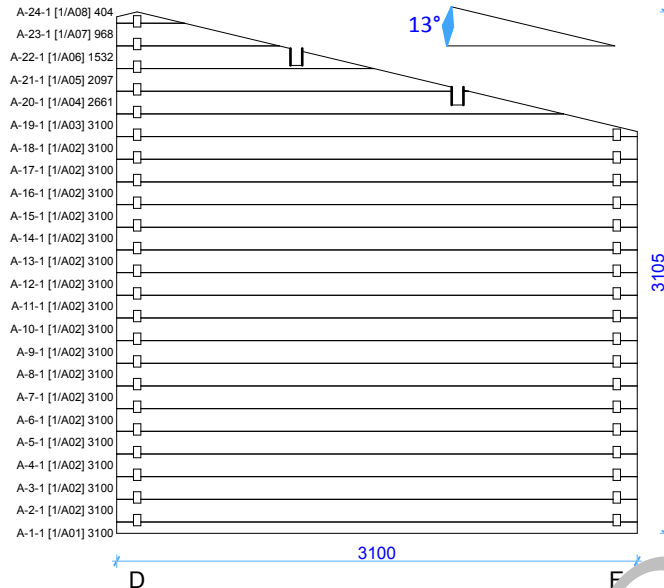
Architect name:	Thickness:	Type:	Project name:	Project No:	Year:	Page:
	44mm	Standard	Stable Nr. 2		2015	3 of 6

Roof boards

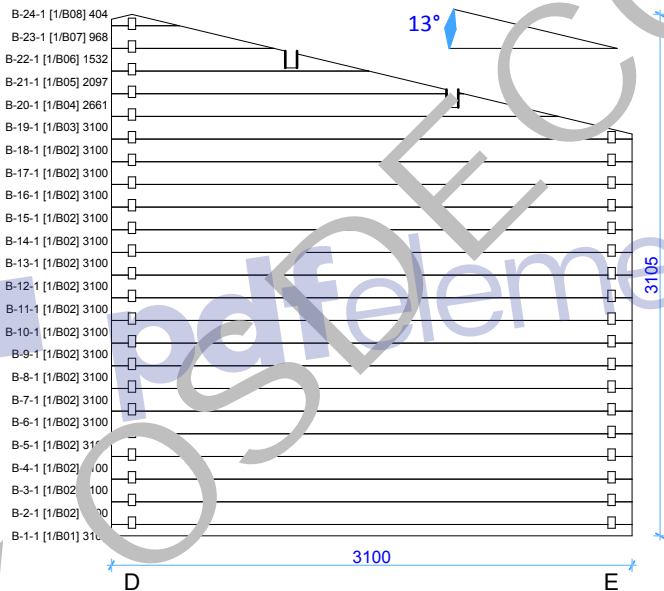


Architect name:	Thickness:	Type:	Project name:	Project No:	Year:	Page:
	44mm	Standard	Stable Nr. 2		2015	4 of 6

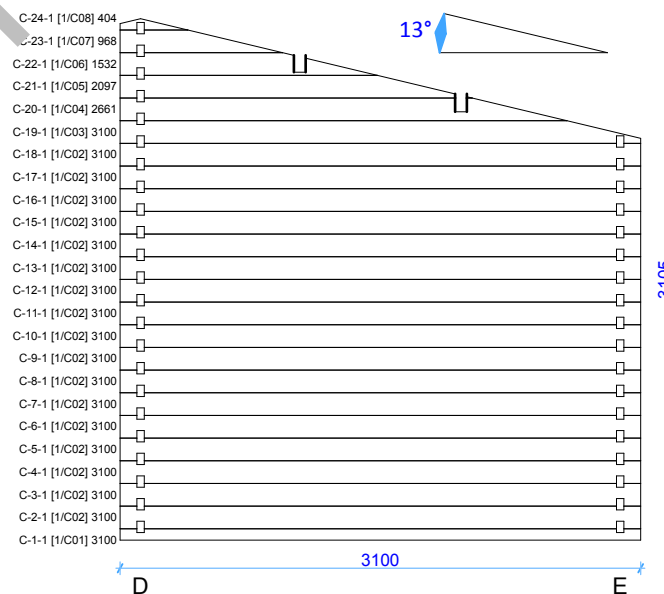
Wall A



Wall B

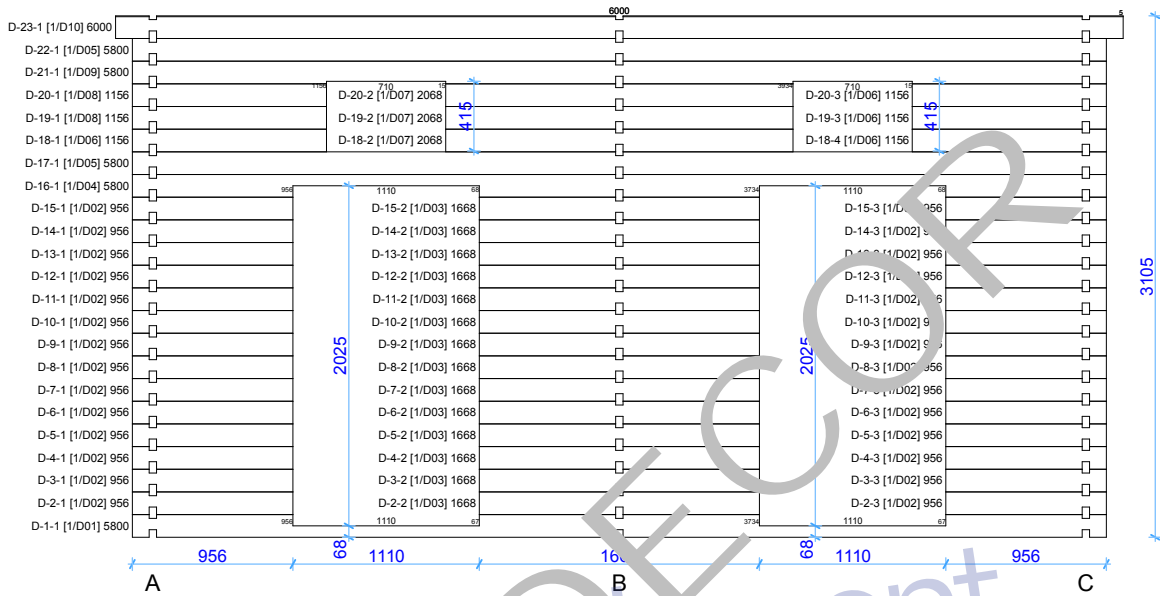


Wall C

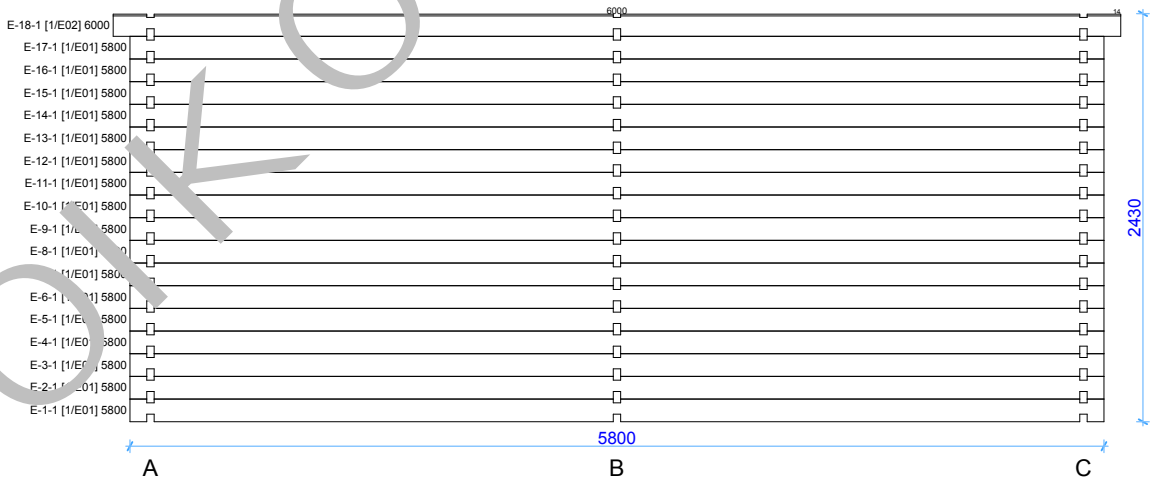


Architect name:	Thickness:	Type:	Project name:	Project No:	Year:	Page:
	44mm	Standard	Stable Nr. 2		2015	5 of 6

Wall D



Wall E



Architect name:	Thickness:	Type:	Project name:	Project No:	Year:	Page:
	44mm	Standard	Stable Nr. 2		2015	6 of 6