



OLKOSDECOR

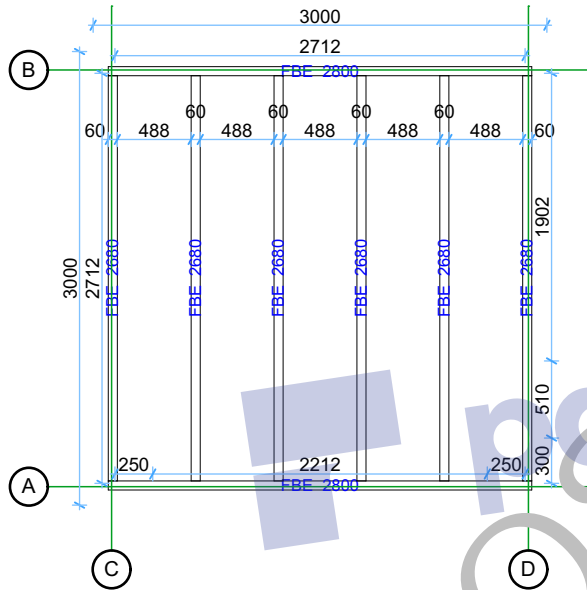
pdfelement



Thickness:	Project name:	Project ID:	Year:	Page:
44			2021	2

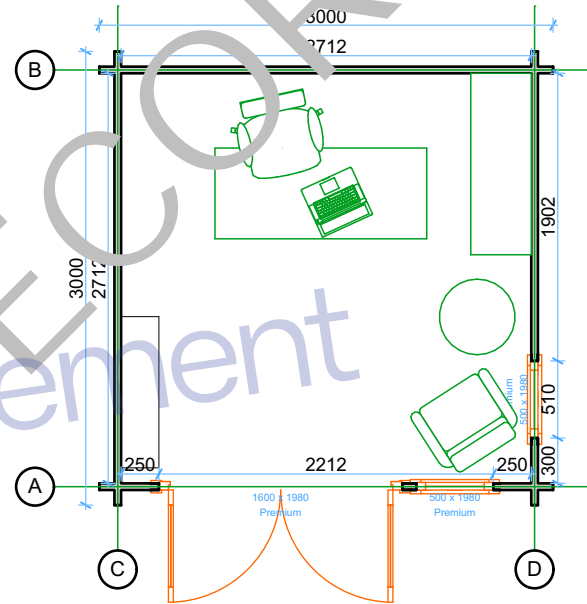
Floor bearers

1:50



Ground floor plan

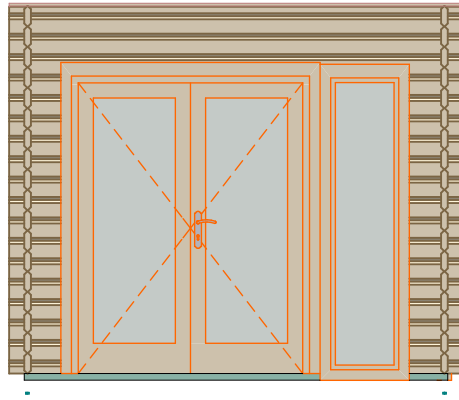
1:50



Thickness:	Project name:	Project ID:	Year:	Page:
44			2021	3

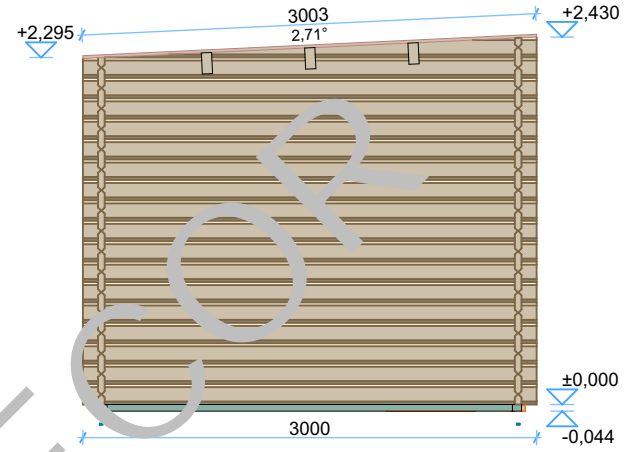
Front Elevation

1:50



Left Elevation

1:50



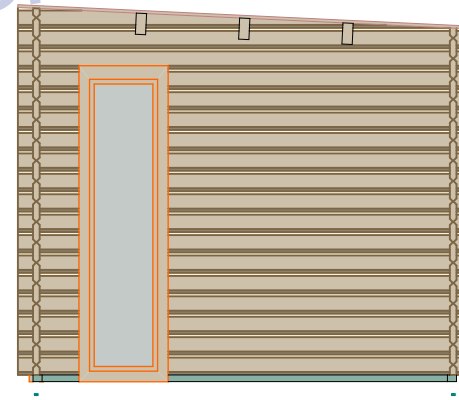
Back Elevation

1:50

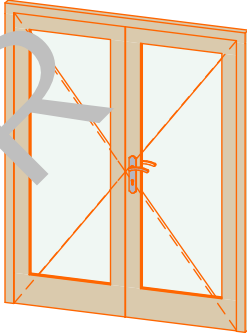
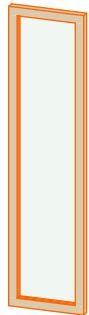


Right Elevation

1:50



Thickness:	Project name:	Project ID:	Year:	Page:
44			2021	4

Windows and doors list					
Type-quality	W x H Size	Orientation	Glazing	Quantity	3D Axonometry
Door - Premium	1600×1980	R	100%, double glazed	1	
Window - Premium	500×1980		Double glazed	2	

Thickness:	Project name:	Project ID:	Year:	Page:
44			2021	5